

浙江金纬片板膜设备制造有限公司
ZHEJIANG JWELL SHEET&FILM EQUIPMENT CO.,LTD.

金纬机械 浙江厂区

地址：中国 浙江省 嘉兴市 海宁斜桥工业园 庆丰路128号

电话：0573-8778 6088 / +86 13917612260 (微信同号)

邮箱：salcc@jwell.cn / sales@jwell.cn

投诉邮箱：info@jwell.cn

网址：www.jwellhn.com / www.jwell.cn

JWELL MACHINERY ZHEJIANG FACTORY

Add:No.128, Qingfeng Road, Xieqiao Industrial Zone, Haining City, Zhejiang, China

Tel:+86-573-8778 6088 / +86 13917612260 (Whatsapp)

E-mail: salcc@jwell.cn / sales@jwell.cn

Complaint E-mail:info@jwell.cn

Web Site: www.jwellhn.com / www.jwell.cn

JWELL
Professional Extrusion

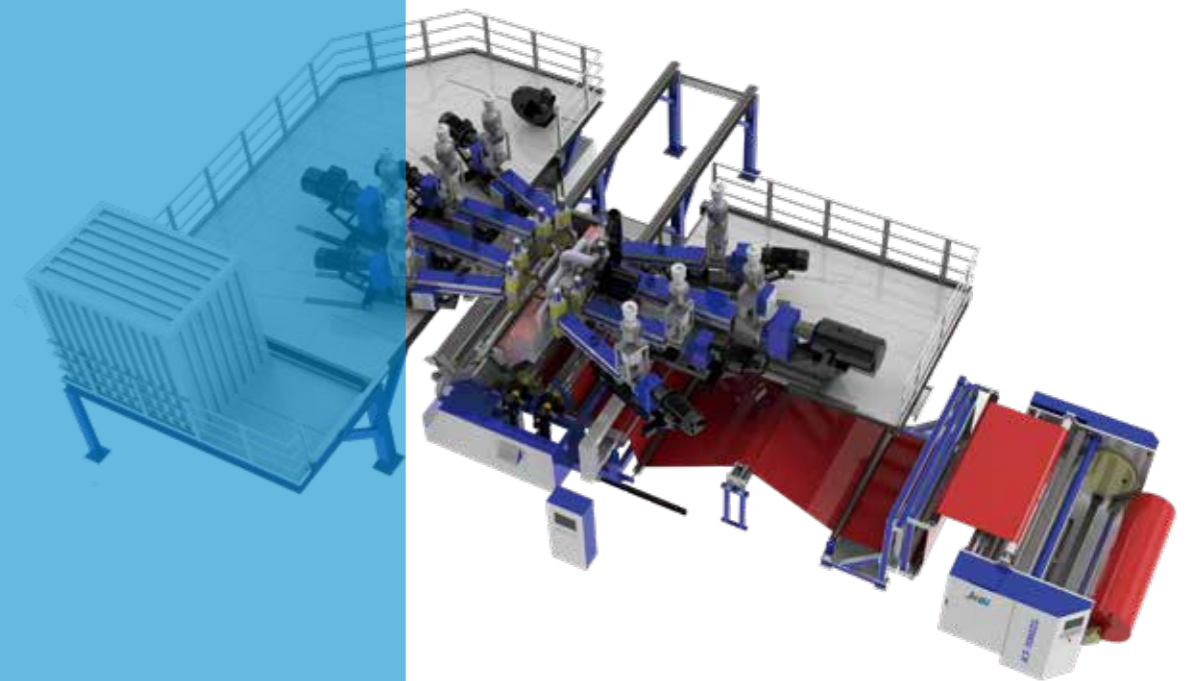


www.jwell.cn

CAST FILM LINE

FOR
CPP/CPE/BARRIER FILM

流延膜生产线



No.2022.06.CF

JWELL
Cast Extrusion Solution



www.jwell.cn

浙江金纬片板膜设备制造有限公司
ZHEJIANG JWELL SHEET & FILM EQUIPMENT CO.,LTD.

金纬机械 智能制造

浙江金纬片板膜设备制造有限公司是金纬机械旗下的又一个重要发展战略中心和制造基地，位于浙江省嘉兴市海宁斜桥工业园区。

公司专注于塑料薄膜挤出设备的设计、研发与制造。

公司产品已遍布全国各地，并出口到俄罗斯、印度、韩国、印尼、中东、非洲、南美洲、西班牙、意大利等100多个国家和地区，深受客户好评。

Zhejiang **JWELL** Sheet and film Equipment Co., Ltd. is another important strategic development center and manufacturing base of **JWELL** Machinery. It is Located in Xieqiao Industrial Park, Haining, Zhejiang Province, We focuses on the design、development and manufacturing of Cast film extrusion equipment.

董事长：何海潮

Email: he@jwell.cn

President: He Haichao Mobile/WhatsApp +86 13601628188



- 独特的T型模头，经过优化设计及流体仿真，确保出料均匀；
Special T-Die, better uniform flow with Optimized design & simulation;
- 我们有几十年的螺杆结构设计经验，确保高产、高效；
We have decades of experience in Extrusion screw design;
- 我们有高端的加工设备，确保核心零部件的加工精度；
We have high-end CNC to ensure the precision of the core parts;
- 我们有成熟的设计团队，确保生产线更加智能、更加高效、更加稳定。
We have a mature design team to make the Cast film line smarter, more efficient and more stable.

CPP流延膜机组 | CPP Cast Film Extrusion Line

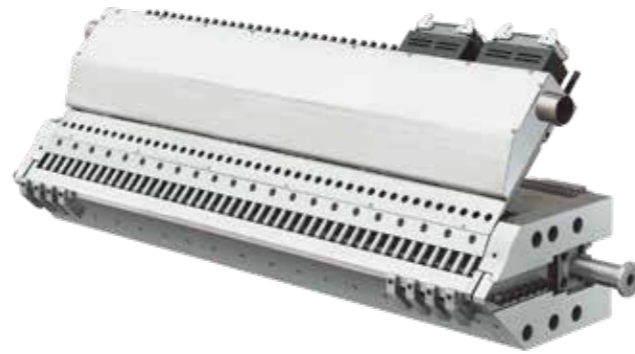
制品用途 | Applications of product

- CPP薄膜经过印刷、制袋，可作为服装、针织品和花卉的包装袋；
CPP film after printing, bag making, can be used as clothing, knitwear and flower packaging bags;
- 可用于食品外包装，糖果外包装，药品包装等。
Can be used for food packaging, candy packaging, medicine packaging.

生产线规格型号 | Production line Specification

机型 Model	口模宽度 Width of die mm	制品宽度 Products width mm	制品厚度 Products thickness mm	机械运行速度 Max line speed m/min	最大产量 Max capacity kg/h
JCF-3000PP	3000	2700	0.02-0.12	250	800
JCF-3500PP	3500	3200	0.02-0.12	250	1000
JCF-4500PP	4500	4200	0.02-0.12	250	1400
JCF-5500PP	5500	5200	0.02-0.12	250	1600

- 全自动调节模头，可实现在线闭环控制；
Automatic adjustment of die head can realize on-line closed loop control;
- 薄壁高效冷却成型辊，特殊螺旋流道设计，保证高速生产时薄膜定型效果的一致；
Thin wall and high efficient cooling roller, special spiral flow design, to ensure the high speed production film shaping effect;
- 配套负压双腔真空箱和静电电压边装置，保证薄膜熔膜稳定；
Equipped with negative pressure double chamber vacuum box and static edge locking device to ensure the stability of film fusion;
- 高稳定性电晕处理装置，故障率低，可根据需要转换走向，处理薄膜的正反面。
High stability corona treatment device, low failure rate, according to the need to change direction, treatment of both sides of film.



金纬机械具备生产最高9层高阻隔流延膜生产线的能力；
该设备适应性强，可针对不同牌号的PE、PP、PA、EVOH原料进行优化适应。

JWELL has the ability to produce up to 9 layers of cast film extrusion line; The equipment has strong adaptability, can be optimized for different grades of PE, PP, PA, EVOH raw materials.

CPE流延膜机组 | CPE Cast Film Extrusion Line

制品用途 | Applications of product

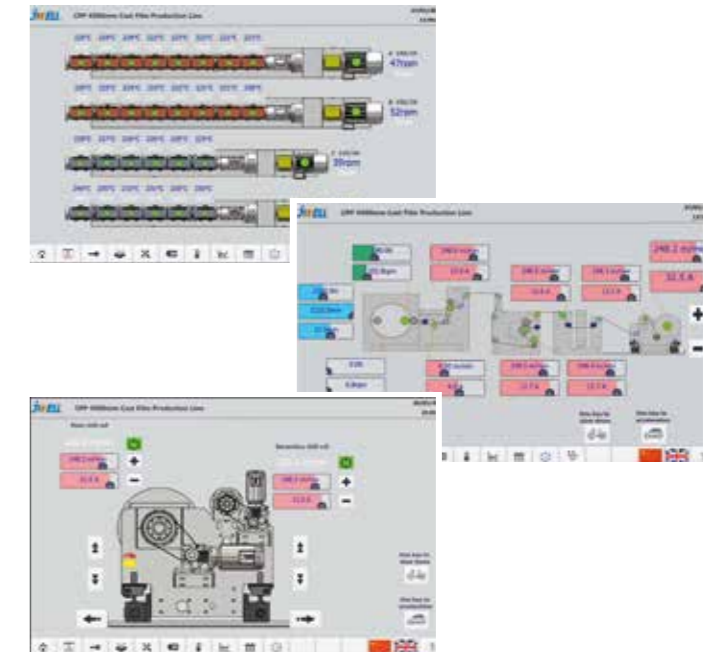
- CPE复合基材膜：可与BOPA、BOPET、BOPP等产品复合-热封-制袋，应用于食品、服装等领域；
CPE film laminated base material: It can be laminate with BOPA, BOPET, BOPP etc. heat sealing and bag making, used in food, clothing, and other fields;
- CPE单层印刷膜：经热印-热封-制袋，应用于卷纸提袋包装、纸巾独立包装等；
CPE single-layer printing film: Printing - heat sealing - bag making, used for roll paper bag ,independent packaging for paper towels etc.;
- CPE镀铝膜：广泛用于软包装、复合包装，装潢、激光全息防伪、激光压印镭射等。
CPE aluminum film: widely used in soft packaging, composite packaging, decoration, laser holographic anti-counterfeiting, laser embossing laser and so on.

生产线规格型号 | Production line Specification

机型	口模宽度	制品宽度	制品厚度	机械运行速度	最大产量
Model	Width of die	Products width	Products thickness	Max line speed	Max capacity
	mm	mm	mm	m/min	kg/h
JCF-2500PE	2500	2200	0.02-0.15	250	600
JCF-3000PE	3000	2700	0.02-0.15	200	750
JCF-3500PE	3500	3200	0.02-0.15	200	900

金纬机械 JWELL-JCF 控制系统

- 检测、控制和调节
Detection, control and regulation
- 挤出机和模头的温度、压力监测
Temperature and pressure detection of extruder and die head
- 牵引、收卷速度控制及监测
Control and monitor the traction and winding speed
- 同步提速、降速及整线联动
Synchronous acceleration, deceleration and linkage of the whole line
- 产量控制及显示
Extrusion output control and display
- 故障提示及警告
Fault hints and warnings



高阻隔流延膜机组 | High Barrier Cast Film Extrusion Line

生产线规格型号 | Production line Specification

机型	口模宽度	制品宽度	制品厚度	机械运行速度	最大产量
Model	Width of die	Products width	Products thickness	Max line speed	Max capacity
	mm	mm	mm	m/min	kg/h
JCF-2500ZG	2500	2200	0.03-0.25	150	600
JCF-3000ZG	3000	2700	0.03-0.25	150	700

金纬机械 **JWMD** 系列医疗级流延膜生产线，按万级实验室要求打造，具有占地面积小、多用途、设备轻量化设计、拆装方便等特点。

JWMD series medical grade Cast film extrusion line is Designed for 10000 level laboratory requirements. It has the characteristics of small occupation area, lightweight equipment design, convenient disassembly and assembly.



JWMD 系列生产线应用领域

- TPU/EVA医用膜，用于输液袋、血浆袋、伤口敷料等
TPU/EVA medical film, For infusion bag, plasma bags, wound dressing and so on
- TPU/PETG 牙片，用于牙齿整形
TPU/PETG SHEET, For orthodontics
- PE隔离膜，防护服
PE isolating membrane, For protection suit

医疗级流延膜生产线 | Medical grade Cast Film Extrusion Line

生产线规格型号 | Production line Specification

机型 Model	口模宽度 Width of die mm	制品宽度 Products width mm	制品厚度 Products thickness mm	机械运行速度 Max line speed m/min	最大产量 Max capacity kg/h
JCF-400MD	400	200	0.1-0.5	10	10
JCF-600MD	600	400	0.1-0.5	10	15
JCF-800MD	800	600	0.1-0.5	10	20



EVA/POE 胶膜：用于太阳能光伏电站、建筑物玻璃幕墙、汽车玻璃、功能性棚膜、包装膜、热熔胶等各种行业。

EVA/POE film is used in solar photovoltaic power station, building glass curtain wall, automobile glass, functional shed film, packaging film, hot melt adhesive and other industries.

PVB/SGP 胶膜：广泛应用于建筑夹层玻璃，汽车夹层玻璃，防弹玻璃，隔音玻璃等。具有很好的安全性，防止玻璃由于外力作用下破碎而碎片溅起伤人；具有隔音性，防紫外线，可以做成彩色或高透明的薄膜。

PVB/SGP film: is widely used in building sandwich glass, car sandwich glass, bulletproof glass, soundproof glass etc. With good safety function and prevent glass from breaking due to the effect of external force and shards spatter injury; With sound insulation, anti - ultraviolet function, can be made of color or high transparent film.



EVA/POE/PVB/SGP胶膜生产线 | EVA/POE/PVB/SGP Film Extrusion Line

生产线规格型号 | Production line Specification

机型 Model	适用原料 Suitable material	制品宽度 Products width mm	制品厚度 Products thickness mm	设计线速度 Designed line speed m/min	设计挤出产量 Capacity kg/h
JWS120/150/120-2400	EVA/POE	2000-2400	0.38-1.0	15	700-750
JWS180-2400	EVA/POE	2000-2400	0.38-1.0	12	600-700
JWS150	PVB/SGP	2000-2600	0.38-1.52	10	400-500
JWE95-JWE65	PVB/SGP	2400-3000	0.38-1.52	10	600-700
JWE135-JWE95	PVB/SGP	3000-3600	0.38-1.52	20	1000-1200



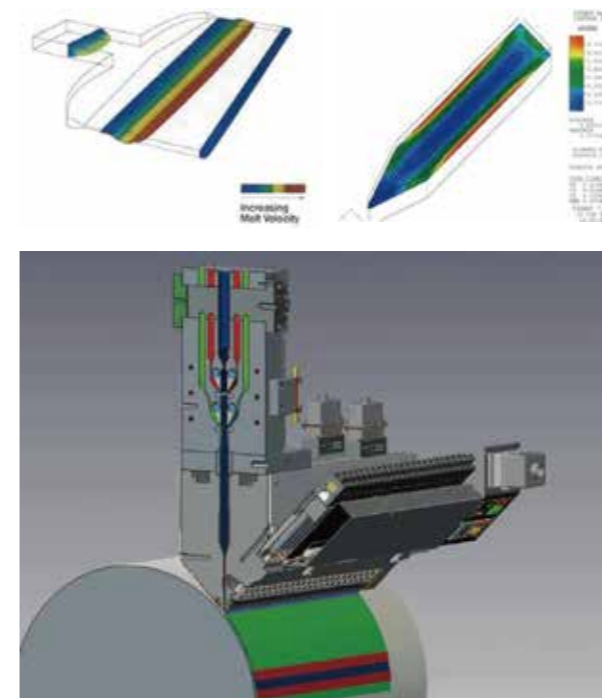
TPU高低温薄膜/高弹膜生产线 TPU High-low Temperature / High-elastic Film Co-extrusion Line

生产线特点: 通过2台或3台挤出机共挤的方式, 将不同温度范围和硬度范围的TPU原料, 一次性复合挤出成型。相比传统复合工艺, 将高温、低温薄膜下线再复合, 显得更经济、更环保、更高效。制品广泛应用于止水条、鞋材、服装、箱包、文具、体育用品等等。

Features: TPU raw materials with different temperature and hardness ranges are extruded by two or three extruders at one time. Compared with the traditional composite process, it is more economical, more environmentally friendly and more efficient to recombine high-temperature and low-temperature thin films offline. Products are widely used in water-proof strips, shoes, clothing, bags, stationery, sports goods and so on.

生产线规格型号 | Production line Specification

机型 Model	制品宽度 Products width mm	制品厚度 Products thickness mm	设计挤出产量 Capacity kg/h
JWS90+JWS100	1000-2000	0.02-0.5	200-250
JWS90+JWS90+JWS90	1000-2000	0.02-0.5	200-300



对于特殊的薄膜应用领域, **JWELL** 为薄膜生产线配置了在线的 **MDO** 单元。单轴拉伸工艺使得薄膜成型在如下方面变的可控, 如拉伸强度、收缩率、刚度、阻隔性和光学特性等。此外, 通过拉伸来达到薄膜的轻量化, 仍将引领着流延膜行业增长的趋势。

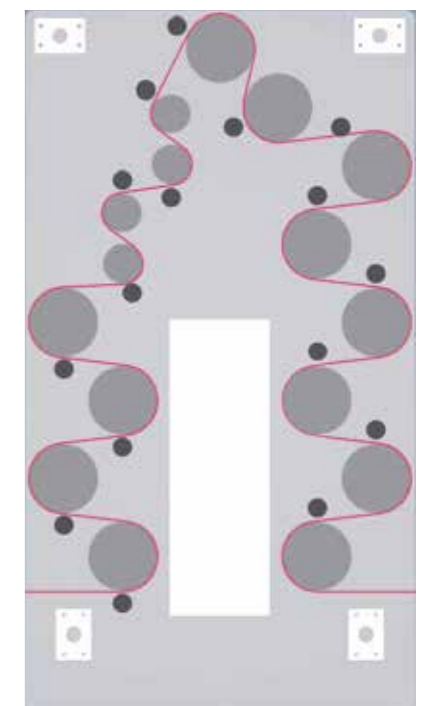
For special film applications, **JWELL** integrates an inline **MDO** unit into cast film extrusion lines. The monoaxial stretching process makes it possible to adjust film properties such as elongation, tensile strength, shrinkage, stiffness, barrier and optical characteristics. Furthermore, downgauging by stretching still represents a growing trend in the film extrusion industry.

金纬机械在线MDO单元 | JWELL inline MDO unit

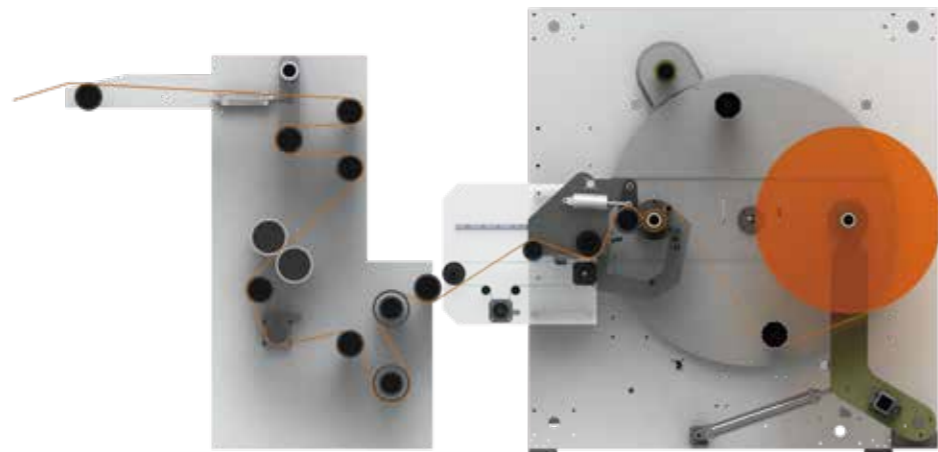
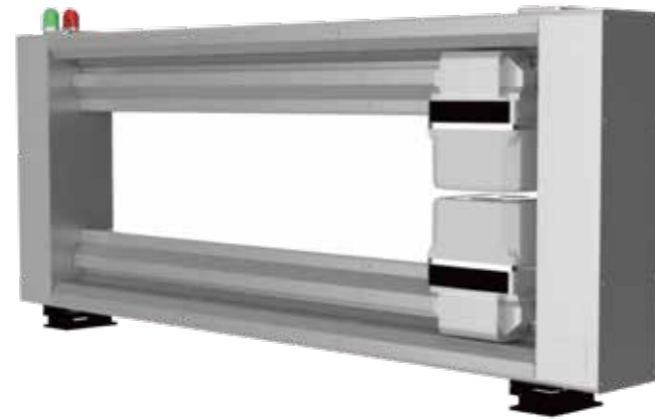
我们具有多年的MDO相关经验积累
With many years of experience in MDO

产品应用 | Range of products

- 自黏胶带
Self-adhesive tapes
- 手拆撕条
Tear tapes
- 标签膜
Label film
- 泡沫膜-珍珠棉
Foamed film
- 用于PET抗老化、收缩率优化
Aging resistant and shrink-optimised PET-film
- 阻隔膜
Barrier film



- 多种放射性测量探头可供选择，如果需要，我们还可以将厚度检测系统与自动模头集成在一起；
A variety of radiometric probes are available, and if required, we can integrate a thickness measuring system with an automatic die head;
- 生产过程中所产生的边料可实现在线回收利用，通过多组分下料装置，将粉碎后的回收料输送至挤出机；
The edge material produced in the production process can be recycled online, and the edge material after crushing is transported to the extruder through the multi-component feeding device;
- 我们能提供全自动收卷、卸卷，可大大降低人工成本。
We can provide automatic winding and unwinding machine, which can greatly reduce the labor cost.



- 金纬公司的全自动收卷机，可实现高收卷质量，大多数情况下，您可以直接对卷材进行后续加工，而无需复卷；
JWELL automatic winding machine can achieve high winding quality. In most cases, you can directly process the coil without rewinding;
- 经过不断优化，金纬公司的收卷机已经可以将收卷直径提高至1200mm。
JWELL winding machine is optimized to match the diameter of the winder up to 1,200 mm.

优质的产品 HIGHEST QUALITY PRODUCTS

